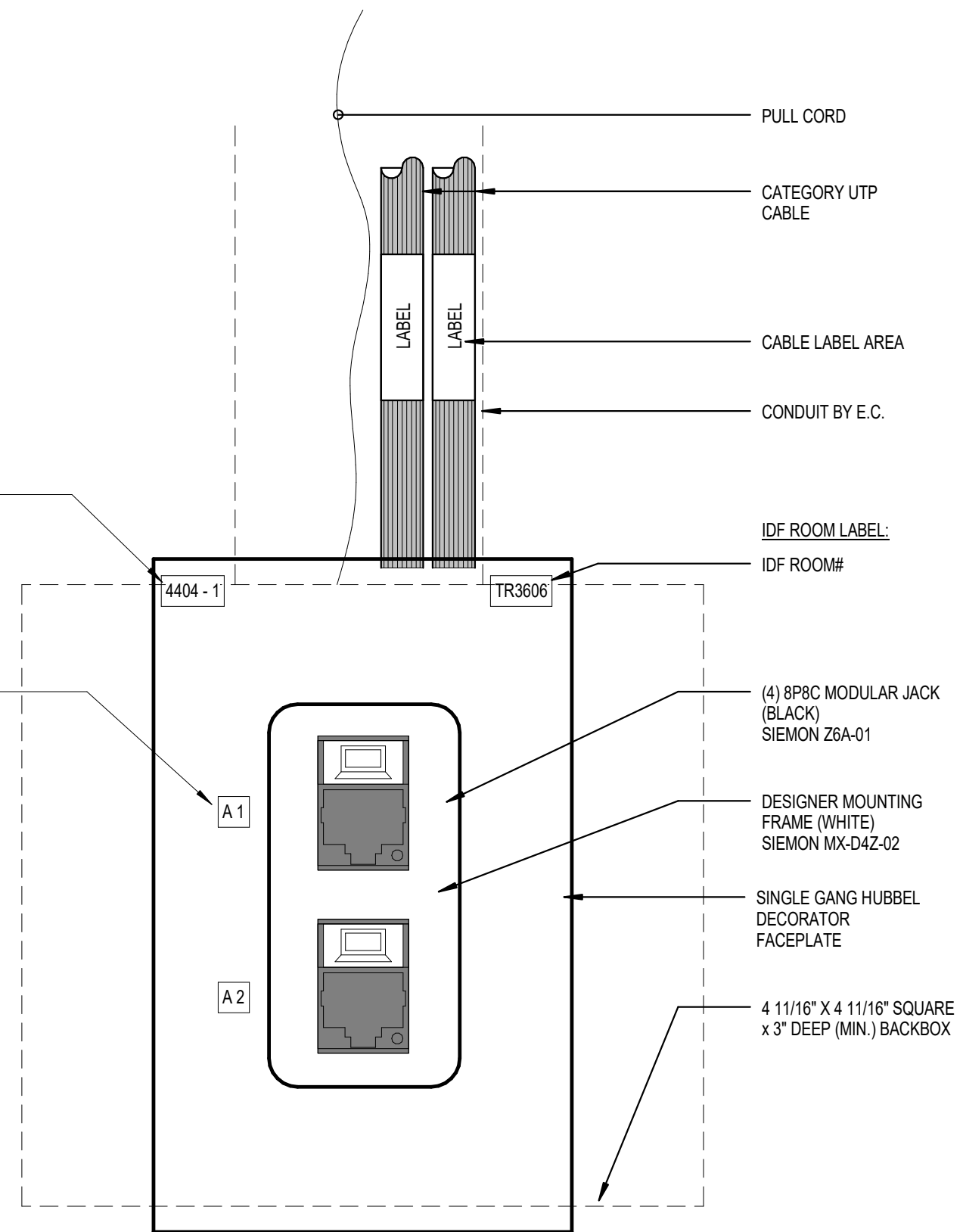
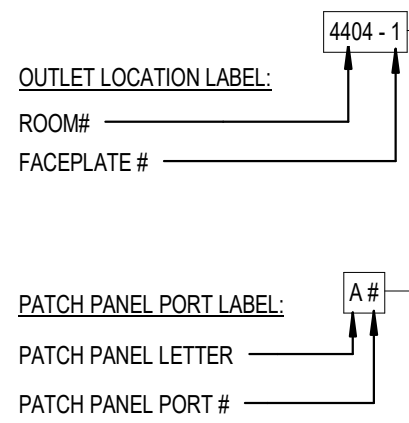
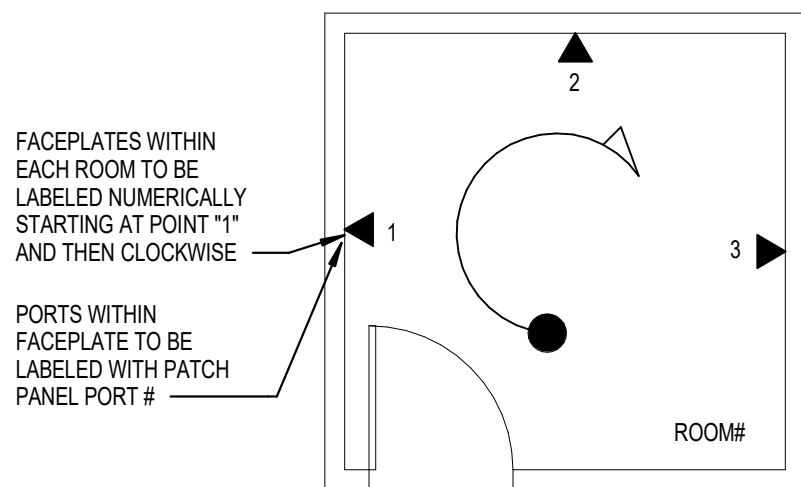




BR+A
 BR+A CONSULTING ENGINEERS
 10 Guest Street, 4th Floor
 Boston, MA 02135
 617.254.0016
 brplusa.com



① TYPICAL OUTLET LABELING DETAIL
 N.T.S.

② TYPICAL FACEPLATE LABELING
 12" = 1'-0"

PROJECT: **DUKE UNIVERSITY
 OIT COMMUNICATIONS ROOM REQUIREMENTS**
 DESCRIPTION: **TYPICAL OUTLET LABELING**

JOB NO.: --
 CHECKED: RMT
 DRAWN: AMV
 DATE: 12/05/2019
 SCALE: As indicated
 SKETCH:

T503

REV. DWG: